



Submittal

All-Copper Heat Exchanger

Model #EA 6-16

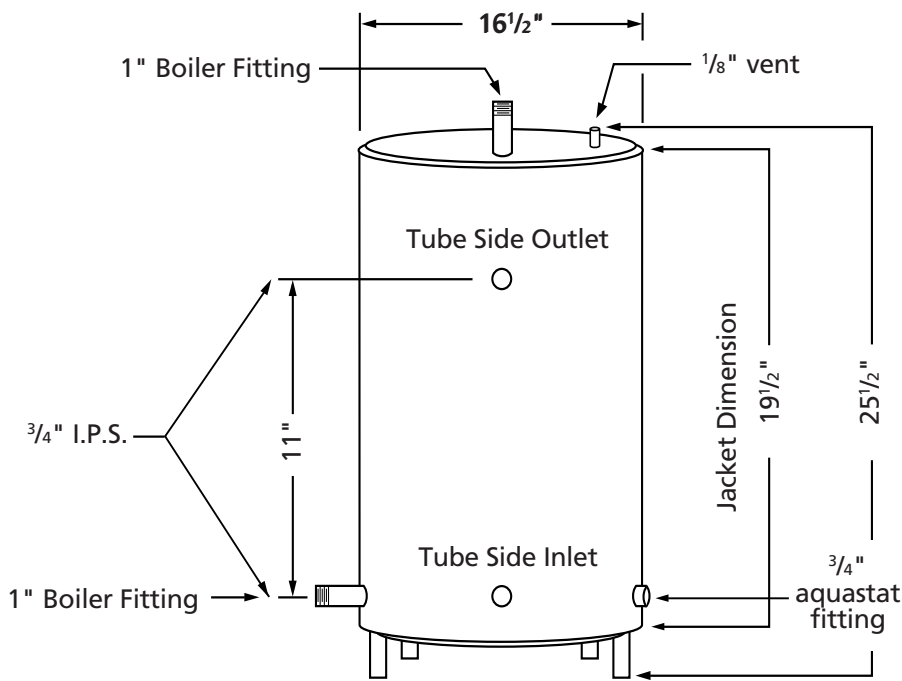
Rating: 6 G.P.M. 40°F to 140°F — BWT @ 200°F

All Units Solid Copper Shell	Test Pressure	Working Pressure	
		Water Boiler	Steam Boiler
"Deluxe Models"	150 psi	30 psi	15 psi
"Super Models"	220 psi	30 psi	15 psi
"Heavy Duty High Pressure"	350 psi	125 psi	125 psi
Coil and Manifold	1000 psi	420 psi	420 psi

All Copper Integral Finned Tubing

All Fittings Red Brass

All units have lapped silver brazed joints, are fully insulated, and are enclosed in a 24 gauge steel painted jacket.



Vacuum breakers required on all live steam installations!

Shock arrestors required on all commercial-industrial installations!

Pressure Drop 8.9 psi at rated capacity tube side
Pressure Drop .5 ft. shell side
17.43 sq. ft. heating surface

Special Models

- "Restaurant Type" — producing 140° rise for dishwashers.
- "High Pressure" shell — live steam working pressure up to 125 pounds.
- "Cupro-Nickel" — longer lasting, corrosion resistant coils, particularly suited for low P.H. areas.

Regular models may be used for up to 15 lbs. steam pressure.

Air Elimination: Use key/coin type vent on steam system installations; use float vent on forced hot water system installations.



Therma-Flow/Everhot

Factory Address: Therma-Flow, Inc. • 191 Arlington Street • Watertown, MA 02472
 Mailing Address: Therma-Flow, Inc. • Post Office Box 416 • Watertown, MA 02471-0416
 Phone-Fax: (617) 924-3877 • FAX (617) 924-7271
 Toll Free Phone: 1-800-225-5311 MA: 1-800-654-8045 USA
 E-mail: sales@www.tfi-everhot.com • Web Site: www.tfi-everhot.com



Submittal All-Copper Heat Exchanger

Model #EA 8-20

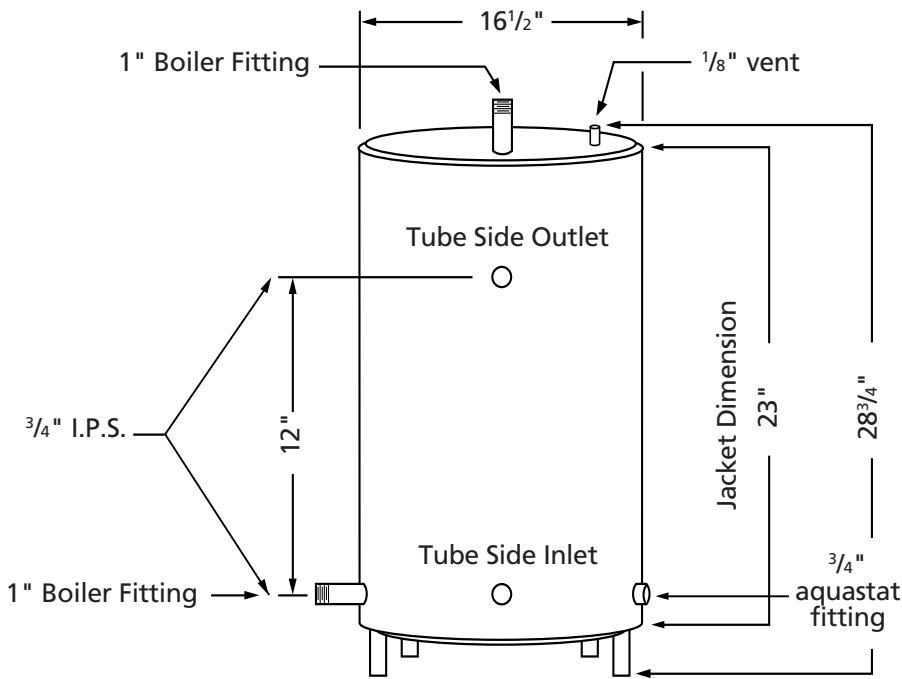
Rating: 8 G.P.M. 40°F to 140°F — BWT @ 200°F

All Units Solid Copper Shell	Test Pressure	Working Pressure	
		Water Boiler	Steam Boiler
"Deluxe Models"	150 psi	30 psi	15 psi
"Super Models"	220 psi	30 psi	15 psi
"Heavy Duty High Pressure"	350 psi	125 psi	125 psi
Coil and Manifold	1000 psi	420 psi	420 psi

All Copper Integral Finned Tubing

All Fittings Red Brass

All units have lapped silver brazed joints, are fully insulated, and are enclosed in a 24 gauge steel painted jacket.



Vacuum breakers required on all live steam installations!

Shock arrestors required on all commercial-industrial installations!

Pressure Drop
9.1 psi at rated capacity tube side
Pressure Drop
.5 ft. shell side
23.98 sq. ft. heating surface

Special Models

- "Restaurant Type" — producing 140° rise for dishwashers.
- "High Pressure" shell — live steam working pressure up to 125 pounds.
- "Cupro-Nickel" — longer lasting, corrosion resistant coils, particularly suited for low P.H. areas.

Regular models may be used for up to 15 lbs. steam pressure.

Air Elimination: Use key/coin type vent on steam system installations; use float vent on forced hot water system installations.



Therma-Flow/Everhot

Factory Address: Therma-Flow, Inc. • 191 Arlington Street • Watertown, MA 02472
 Mailing Address: Therma-Flow, Inc. • Post Office Box 416 • Watertown, MA 02471-0416
 Phone-Fax: (617) 924-3877 • FAX (617) 924-7271
 Toll Free Phone: 1-800-225-5311 MA: 1-800-654-8045 USA
 E-mail: sales@www.tfi-everhot.com • Web Site: www.tfi-everhot.com



Submittal All-Copper Heat Exchanger

Model #EA 8-50

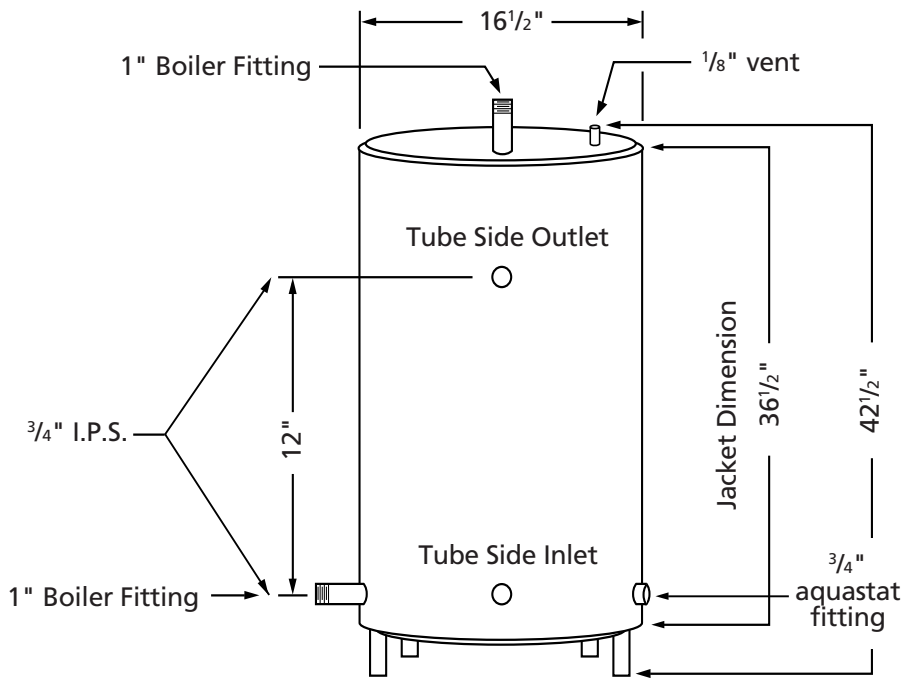
Rating: 8 G.P.M. 40°F to 140°F — BWT @ 200°F

All Units Solid Copper Shell	Test Pressure	Working Pressure	
		Water Boiler	Steam Boiler
"Deluxe Models"	150 psi	30 psi	15 psi
"Super Models"	220 psi	30 psi	15 psi
"Heavy Duty High Pressure"	350 psi	125 psi	125 psi
Coil and Manifold	1000 psi	420 psi	420 psi

All Copper Integral Finned Tubing

All Fittings Red Brass

All units have lapped silver brazed joints, are fully insulated, and are enclosed in a 24 gauge steel painted jacket.



Vacuum breakers required on all live steam installations!

Shock arrestors required on all commercial-industrial installations!

Pressure Drop
9.1 psi at rated capacity tube side
Pressure Drop
.5 ft. shell side
23.98 sq. ft. heating surface

Special Models

- "Restaurant Type" — producing 140° rise for dishwashers.
- "High Pressure" shell — live steam working pressure up to 125 pounds.
- "Cupro-Nickel" — longer lasting, corrosion resistant coils, particularly suited for low P.H. areas.

Regular models may be used for up to 15 lbs. steam pressure.

Air Elimination: Use key/coin type vent on steam system installations; use float vent on forced hot water system installations.



Therma-Flow/Everhot

Factory Address: Therma-Flow, Inc. • 191 Arlington Street • Watertown, MA 02472

Mailing Address: Therma-Flow, Inc. • Post Office Box 416 • Watertown, MA 02471-0416

Phone-Fax: (617) 924-3877 • FAX (617) 924-7271

Toll Free Phone: 1-800-225-5311 MA: 1-800-654-8045 USA

E-mail: sales@www.tfi-everhot.com • Web Site: www.tfi-everhot.com



Submittal

All-Copper Heat Exchanger

Model #EA 10-50

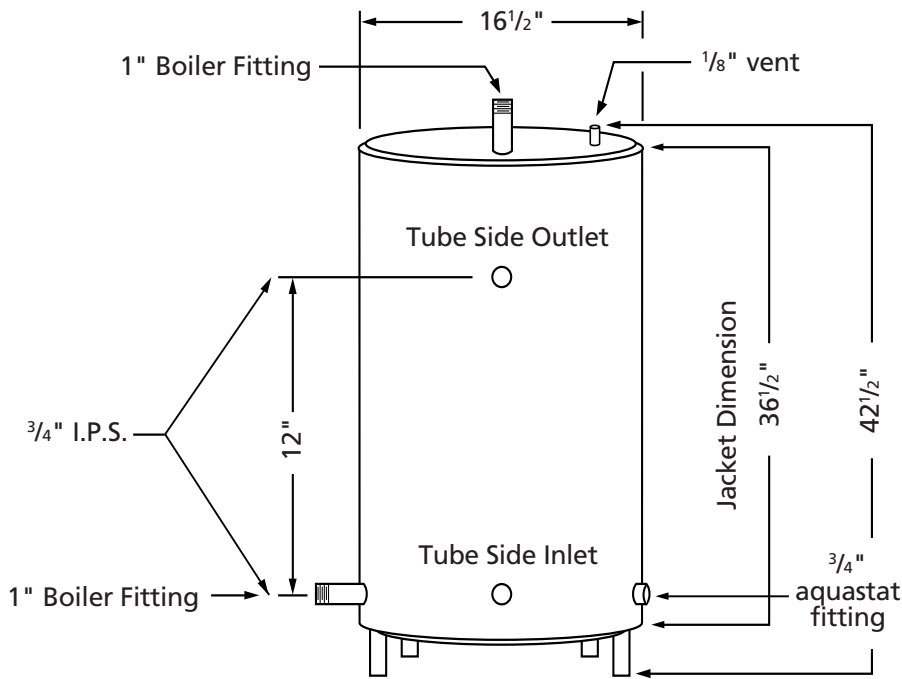
Rating: 10 G.P.M. 40°F to 140°F — BWT @ 200°F

All Units Solid Copper Shell	Test Pressure	Working Pressure	
		Water Boiler	Steam Boiler
"Deluxe Models"	150 psi	30 psi	15 psi
"Super Models"	220 psi	30 psi	15 psi
"Heavy Duty High Pressure"	350 psi	125 psi	125 psi
Coil and Manifold	1000 psi	420 psi	420 psi

All Copper Integral Finned Tubing

All Fittings Red Brass

All units have lapped silver brazed joints, are fully insulated, and are enclosed in a 24 gauge steel painted jacket.



Vacuum breakers required on all live steam installations!

Shock arrestors required on all commercial-industrial installations!

Pressure Drop
9.6 psi at rated capacity tube side
Pressure Drop
.5 ft. shell side
30.23 sq. ft. heating surface

Special Models

- "Restaurant Type" — producing 140° rise for dishwashers.
- "High Pressure" shell — live steam working pressure up to 125 pounds.
- "Cupro-Nickel" — longer lasting, corrosion resistant coils, particularly suited for low P.H. areas.

Regular models may be used for up to 15 lbs. steam pressure.

Air Elimination: Use key/coin type vent on steam system installations; use float vent on forced hot water system installations.



Therma-Flow/Everhot

Factory Address: Therma-Flow, Inc. • 191 Arlington Street • Watertown, MA 02472

Mailing Address: Therma-Flow, Inc. • Post Office Box 416 • Watertown, MA 02471-0416

Phone-Fax: (617) 924-3877 • FAX (617) 924-7271

Toll Free Phone: 1-800-225-5311 MA: 1-800-654-8045 USA

E-mail: sales@www.tfi-everhot.com • Web Site: www.tfi-everhot.com



Submittal

All-Copper Heat Exchanger

Model #EA 12-35

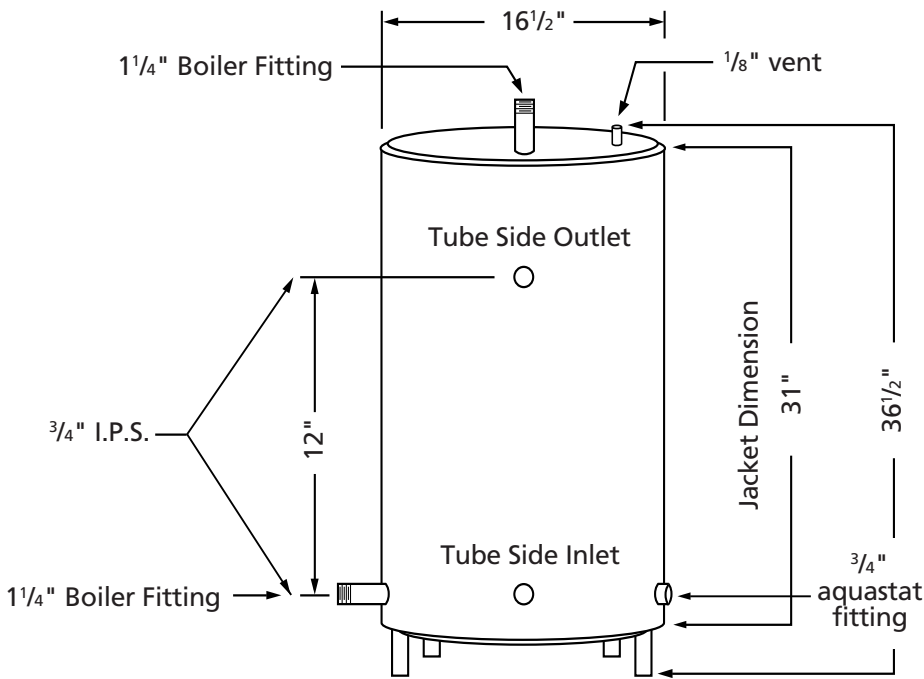
Rating: 12 G.P.M. 40°F to 140°F — BWT @ 200°F

All Units Solid Copper Shell	Test Pressure	Working Pressure	
		Water Boiler	Steam Boiler
"Deluxe Models"	150 psi	30 psi	15 psi
"Super Models"	220 psi	30 psi	15 psi
"Heavy Duty High Pressure"	350 psi	125 psi	125 psi
Coil and Manifold	1000 psi	420 psi	420 psi

All Copper Integral Finned Tubing

All Fittings Red Brass

All units have lapped silver brazed joints, are fully insulated, and are enclosed in a 24 gauge steel painted jacket.



Vacuum breakers required on all live steam installations!

Shock arrestors required on all commercial-industrial installations!

Pressure Drop
10.1 psi at rated capacity tube side
Pressure Drop
.5 ft. shell side
34.86 sq. ft. heating surface

Special Models

- "Restaurant Type" — producing 140° rise for dishwashers.
- "High Pressure" shell — live steam working pressure up to 125 pounds.
- "Cupro-Nickel" — longer lasting, corrosion resistant coils, particularly suited for low P.H. areas.

Regular models may be used for up to 15 lbs. steam pressure.

Air Elimination: Use key/coin type vent on steam system installations; use float vent on forced hot water system installations.



Therma-Flow/Everhot

Factory Address: Therma-Flow, Inc. • 191 Arlington Street • Watertown, MA 02472

Mailing Address: Therma-Flow, Inc. • Post Office Box 416 • Watertown, MA 02471-0416

Phone-Fax: (617) 924-3877 • FAX (617) 924-7271

Toll Free Phone: 1-800-225-5311 MA: 1-800-654-8045 USA

E-mail: sales@www.tfi-everhot.com • Web Site: www.tfi-everhot.com



Submittal

All-Copper Heat Exchanger

Model #EA 12-100

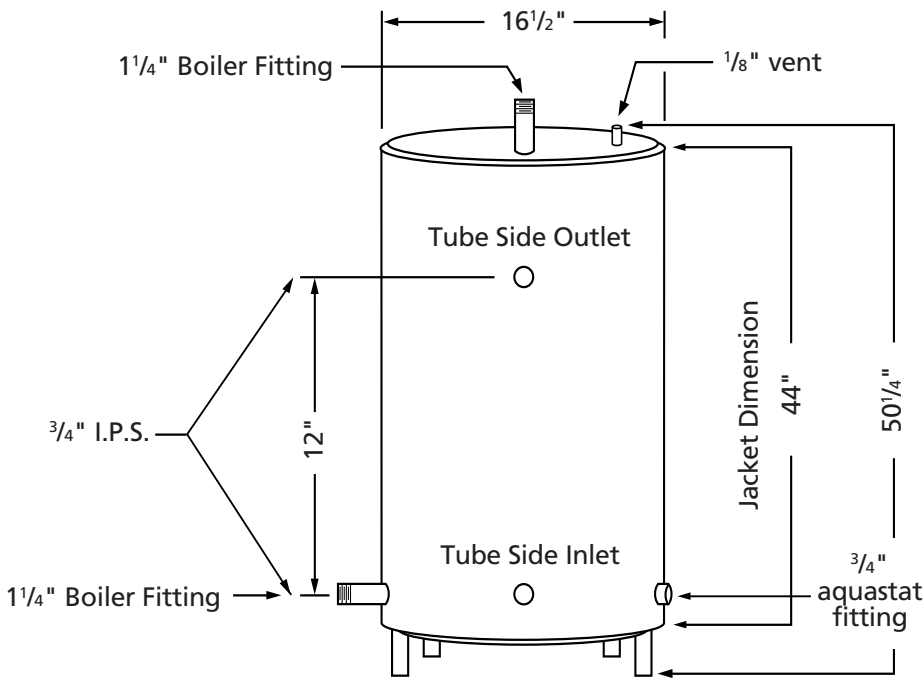
Rating: 12 G.P.M. 40°F to 140°F — BWT @ 200°F

All Units Solid Copper Shell	Test Pressure	Working Pressure	
		Water Boiler	Steam Boiler
"Deluxe Models"	150 psi	30 psi	15 psi
"Super Models"	220 psi	30 psi	15 psi
"Heavy Duty High Pressure"	350 psi	125 psi	125 psi
Coil and Manifold	1000 psi	420 psi	420 psi

All Copper Integral Finned Tubing

All Fittings Red Brass

All units have lapped silver brazed joints, are fully insulated, and are enclosed in a 24 gauge steel painted jacket.



Vacuum breakers required on all live steam installations!

Shock arrestors required on all commercial-industrial installations!

Pressure Drop
10.1 psi at rated capacity tube side
Pressure Drop
.5 ft. shell side
34.86 sq. ft. heating surface

Special Models

- "Restaurant Type" — producing 140° rise for dishwashers.
- "High Pressure" shell — live steam working pressure up to 125 pounds.
- "Cupro-Nickel" — longer lasting, corrosion resistant coils, particularly suited for low P.H. areas.

Regular models may be used for up to 15 lbs. steam pressure.

Air Elimination: Use key/coin type vent on steam system installations; use float vent on forced hot water system installations.



Therma-Flow/Everhot

Factory Address: Therma-Flow, Inc. • 191 Arlington Street • Watertown, MA 02472

Mailing Address: Therma-Flow, Inc. • Post Office Box 416 • Watertown, MA 02471-0416

Phone-Fax: (617) 924-3877 • FAX (617) 924-7271

Toll Free Phone: 1-800-225-5311 MA: 1-800-654-8045 USA

E-mail: sales@www.tfi-everhot.com • Web Site: www.tfi-everhot.com



Submittal

All-Copper Heat Exchanger

Model #EA 16-100

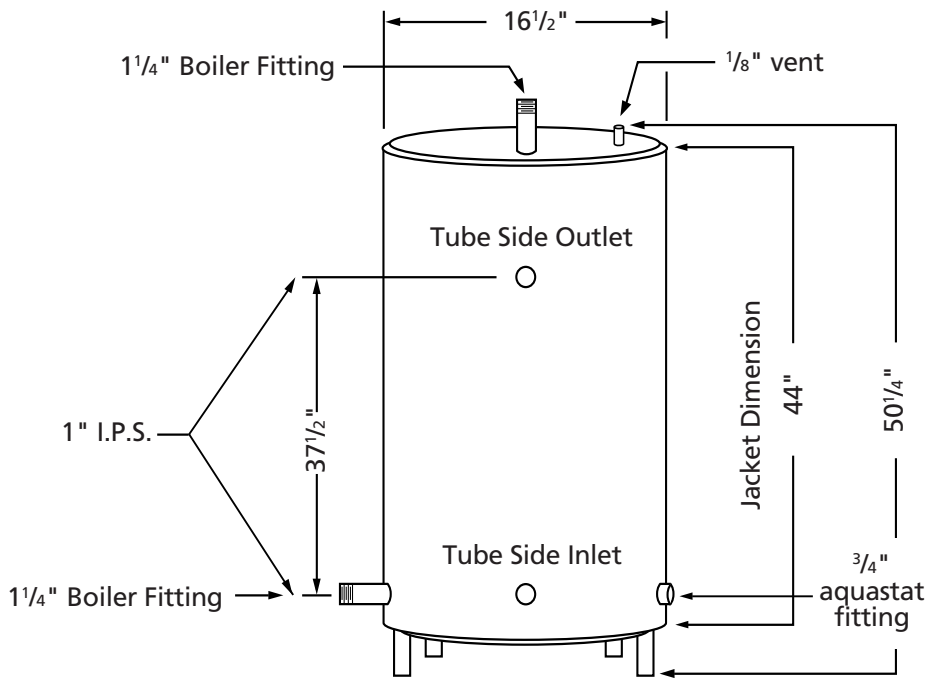
Rating: 16 G.P.M. 40°F to 140°F — BWT @ 200°F

All Units Solid Copper Shell	Test Pressure	Working Pressure	
		Water Boiler	Steam Boiler
"Deluxe Models"	150 psi	30 psi	15 psi
"Super Models"	220 psi	30 psi	15 psi
"Heavy Duty High Pressure"	350 psi	125 psi	125 psi
Coil and Manifold	1000 psi	420 psi	420 psi

All Copper Integral Finned Tubing

All Fittings Red Brass

All units have lapped silver brazed joints, are fully insulated, and are enclosed in a 24 gauge steel painted jacket.



Vacuum breakers required on all live steam installations!

Shock arrestors required on all commercial-industrial installations!

Pressure Drop
12.6 psi at rated capacity tube side
Pressure Drop
.5 ft. shell side
42.64 sq. ft. heating surface

Special Models

- "Restaurant Type" — producing 140° rise for dishwashers.
- "High Pressure" shell — live steam working pressure up to 125 pounds.
- "Cupro-Nickel" — longer lasting, corrosion resistant coils, particularly suited for low P.H. areas.

Regular models may be used for up to 15 lbs. steam pressure.

Air Elimination: Use key/coin type vent on steam system installations; use float vent on forced hot water system installations.



Therma-Flow/Everhot

Factory Address: Therma-Flow, Inc. • 191 Arlington Street • Watertown, MA 02472

Mailing Address: Therma-Flow, Inc. • Post Office Box 416 • Watertown, MA 02471-0416

Phone-Fax: (617) 924-3877 • FAX (617) 924-7271

Toll Free Phone: 1-800-225-5311 MA: 1-800-654-8045 USA

E-mail: sales@www.tfi-everhot.com • Web Site: www.tfi-everhot.com



Submittal

All-Copper Heat Exchanger

Model #EA 20-100

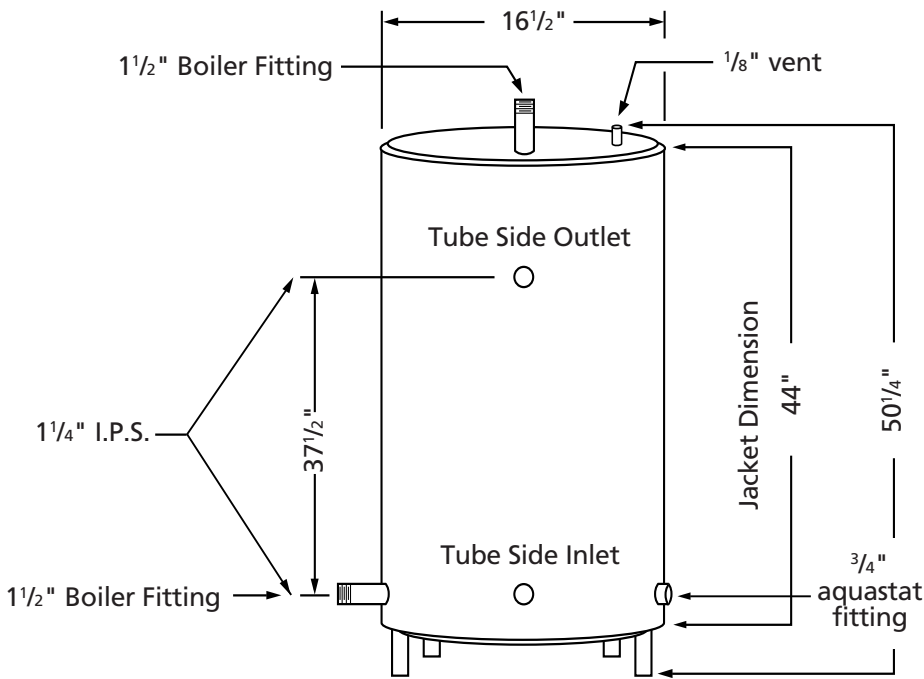
Rating: 20 G.P.M. 40°F to 140°F — BWT @ 200°F

All Units Solid Copper Shell	Test Pressure	Working Pressure	
		Water Boiler	Steam Boiler
"Deluxe Models"	150 psi	30 psi	15 psi
"Super Models"	220 psi	30 psi	15 psi
"Heavy Duty High Pressure"	350 psi	125 psi	125 psi
Coil and Manifold	1000 psi	420 psi	420 psi

All Copper Integral Finned Tubing

All Fittings Red Brass

All units have lapped silver brazed joints, are fully insulated, and are enclosed in a 24 gauge steel painted jacket.



Vacuum breakers required on all live steam installations!

Shock arrestors required on all commercial-industrial installations!

Pressure Drop
14.1 psi at rated capacity tube side
Pressure Drop
1.0 ft. shell side
54.46 sq. ft. heating surface

Special Models

- "Restaurant Type" — producing 140° rise for dishwashers.
- "High Pressure" shell — live steam working pressure up to 125 pounds.
- "Cupro-Nickel" — longer lasting, corrosion resistant coils, particularly suited for low P.H. areas.

Regular models may be used for up to 15 lbs. steam pressure.

Air Elimination: Use key/coin type vent on steam system installations; use float vent on forced hot water system installations.



Therma-Flow/Everhot

Factory Address: Therma-Flow, Inc. • 191 Arlington Street • Watertown, MA 02472

Mailing Address: Therma-Flow, Inc. • Post Office Box 416 • Watertown, MA 02471-0416

Phone-Fax: (617) 924-3877 • FAX (617) 924-7271

Toll Free Phone: 1-800-225-5311 MA: 1-800-654-8045 USA

E-mail: sales@www.tfi-everhot.com • Web Site: www.tfi-everhot.com



Submittal

All-Copper Heat Exchanger

Model #EA 25-100

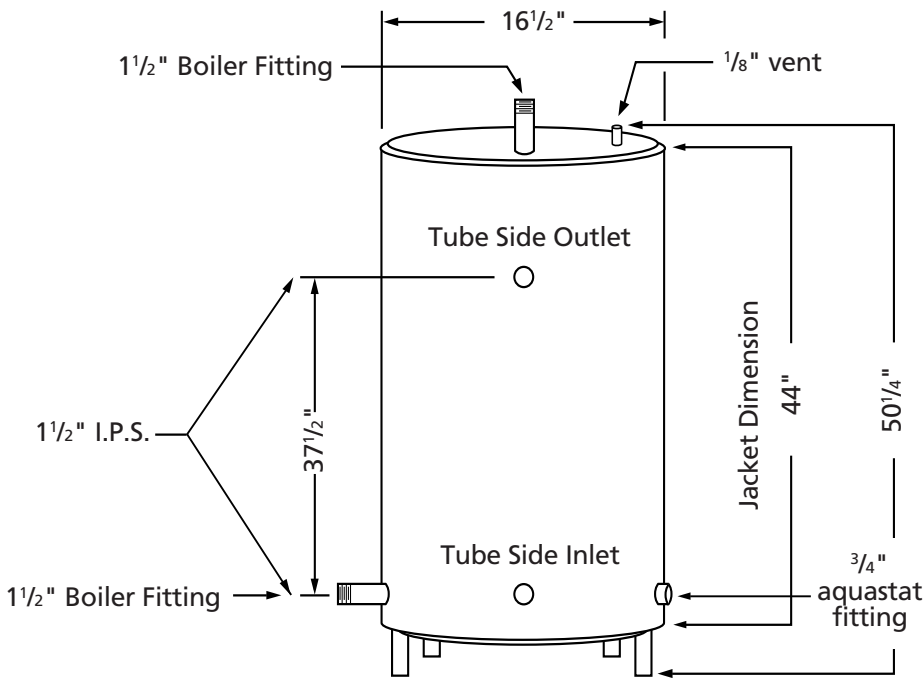
Rating: 25 G.P.M. 40°F to 140°F — BWT @ 200°F

All Units Solid Copper Shell	Test Pressure	Working Pressure	
		Water Boiler	Steam Boiler
"Deluxe Models"	150 psi	30 psi	15 psi
"Super Models"	220 psi	30 psi	15 psi
"Heavy Duty High Pressure"	350 psi	125 psi	125 psi
Coil and Manifold	1000 psi	420 psi	420 psi

All Copper Integral Finned Tubing

All Fittings Red Brass

All units have lapped silver brazed joints, are fully insulated, and are enclosed in a 24 gauge steel painted jacket.



Vacuum breakers required on all live steam installations!

Shock arrestors required on all commercial-industrial installations!

Pressure Drop
15.0 psi at rated capacity tube side
Pressure Drop
1.5 ft. shell side
64.86 sq. ft. heating surface

Special Models

- "Restaurant Type" — producing 140° rise for dishwashers.
- "High Pressure" shell — live steam working pressure up to 125 pounds.
- "Cupro-Nickel" — longer lasting, corrosion resistant coils, particularly suited for low P.H. areas.

Regular models may be used for up to 15 lbs. steam pressure.

Air Elimination: Use key/coin type vent on steam system installations; use float vent on forced hot water system installations.



Therma-Flow/Everhot

Factory Address: Therma-Flow, Inc. • 191 Arlington Street • Watertown, MA 02472

Mailing Address: Therma-Flow, Inc. • Post Office Box 416 • Watertown, MA 02471-0416

Phone-Fax: (617) 924-3877 • FAX (617) 924-7271

Toll Free Phone: 1-800-225-5311 MA: 1-800-654-8045 USA

E-mail: sales@www.tfi-everhot.com • Web Site: www.tfi-everhot.com



Submittal All-Copper Heat Exchanger

Model #EA 30-100

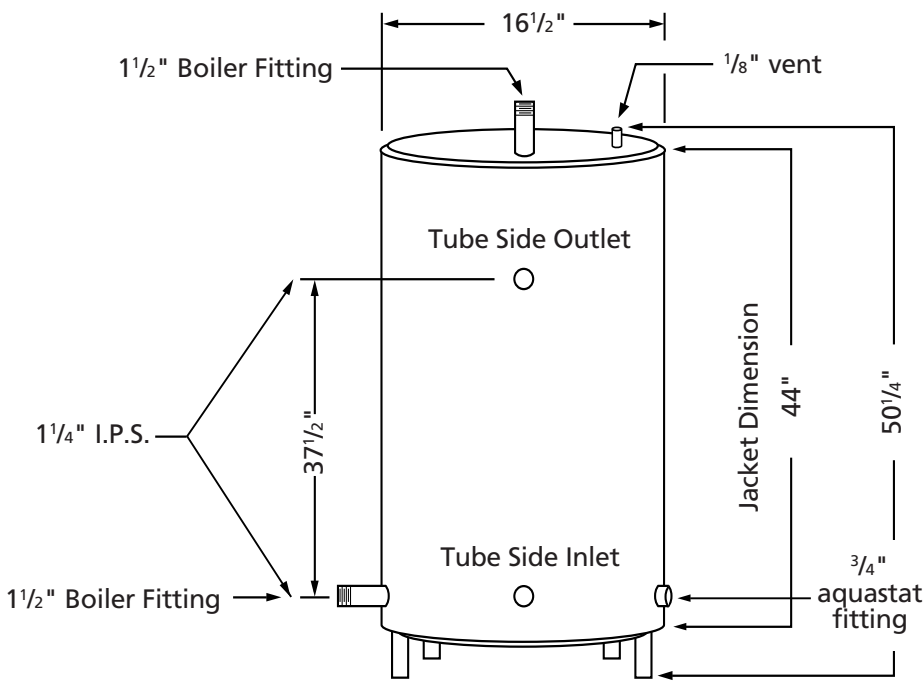
Rating: 6 G.P.M. 40°F to 140°F — BWT @ 200°F

All Units Solid Copper Shell	Test Pressure	Working Pressure	
		Water Boiler	Steam Boiler
"Deluxe Models"	150 psi	30 psi	15 psi
"Super Models"	220 psi	30 psi	15 psi
"Heavy Duty High Pressure"	350 psi	125 psi	125 psi
Coil and Manifold	1000 psi	420 psi	420 psi

All Copper Integral Finned Tubing

All Fittings Red Brass

All units have lapped silver brazed joints, are fully insulated, and are enclosed in a 24 gauge steel painted jacket.



Vacuum breakers required on all live steam installations!

Shock arrestors required on all commercial-industrial installations!

Pressure Drop
15.7 psi at rated capacity tube side
Pressure Drop
1.6 ft. shell side
79.04 sq. ft. heating surface

Special Models

- "Restaurant Type" — producing 140° rise for dishwashers.
- "High Pressure" shell — live steam working pressure up to 125 pounds.
- "Cupro-Nickel" — longer lasting, corrosion resistant coils, particularly suited for low P.H. areas.

Regular models may be used for up to 15 lbs. steam pressure.

Air Elimination: Use key/coin type vent on steam system installations; use float vent on forced hot water system installations.



Therma-Flow/Everhot

Factory Address: Therma-Flow, Inc. • 191 Arlington Street • Watertown, MA 02472
 Mailing Address: Therma-Flow, Inc. • Post Office Box 416 • Watertown, MA 02471-0416
 Phone-Fax: (617) 924-3877 • FAX (617) 924-7271
 Toll Free Phone: 1-800-225-5311 MA: 1-800-654-8045 USA
 E-mail: sales@www.tfi-everhot.com • Web Site: www.tfi-everhot.com



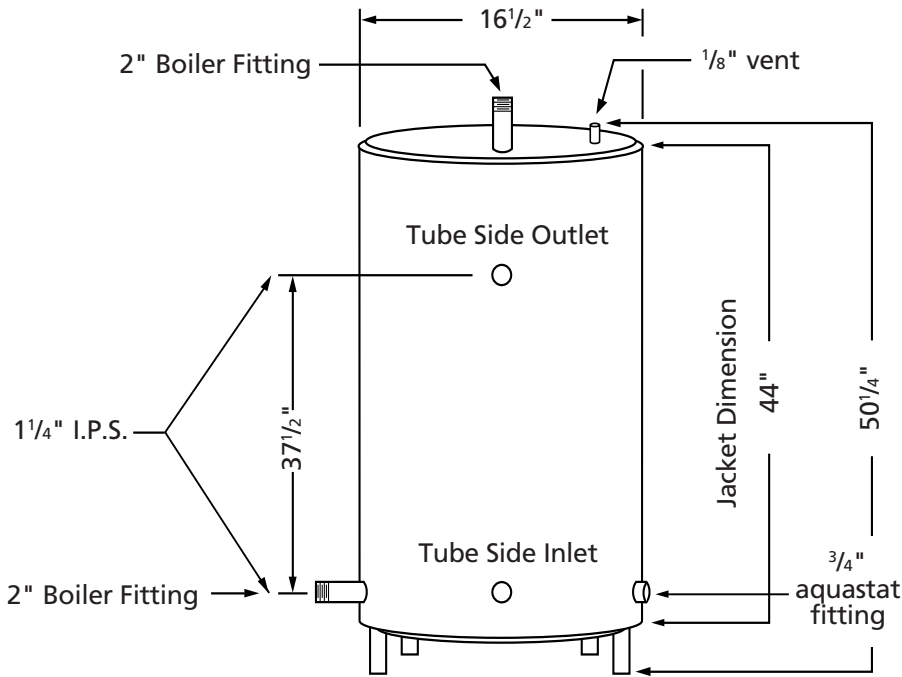
Submittal

All-Copper Heat Exchanger

Model #EA 35-100 **Rating: 35 G.P.M.** 40°F to 140°F — BWT @ 200°F

All Units Solid Copper Shell	Test Pressure	Working Pressure	
		Water Boiler	Steam Boiler
"Deluxe Models"	150 psi	30 psi	15 psi
"Super Models"	220 psi	30 psi	15 psi
"Heavy Duty High Pressure"	350 psi	125 psi	125 psi
Coil and Manifold	1000 psi	420 psi	420 psi

All Copper Integral Finned Tubing
 All Fittings Red Brass
 All units have lapped silver brazed joints, are fully insulated, and are enclosed in a 24 gauge steel painted jacket.



Vacuum breakers required on all live steam installations!

Shock arrestors required on all commercial-industrial installations!

Pressure Drop
17.2 psi at rated capacity tube side
Pressure Drop
1.6 ft. shell side
94.52 sq. ft. heating surface

- Special Models**
- "Restaurant Type" — producing 140° rise for dishwashers.
 - "High Pressure" shell — live steam working pressure up to 125 pounds.
 - "Cupro-Nickel" — longer lasting, corrosion resistant coils, particularly suited for low P.H. areas.

Regular models may be used for up to 15 lbs. steam pressure.
 Air Elimination: Use key/coin type vent on steam system installations; use float vent on forced hot water system installations.



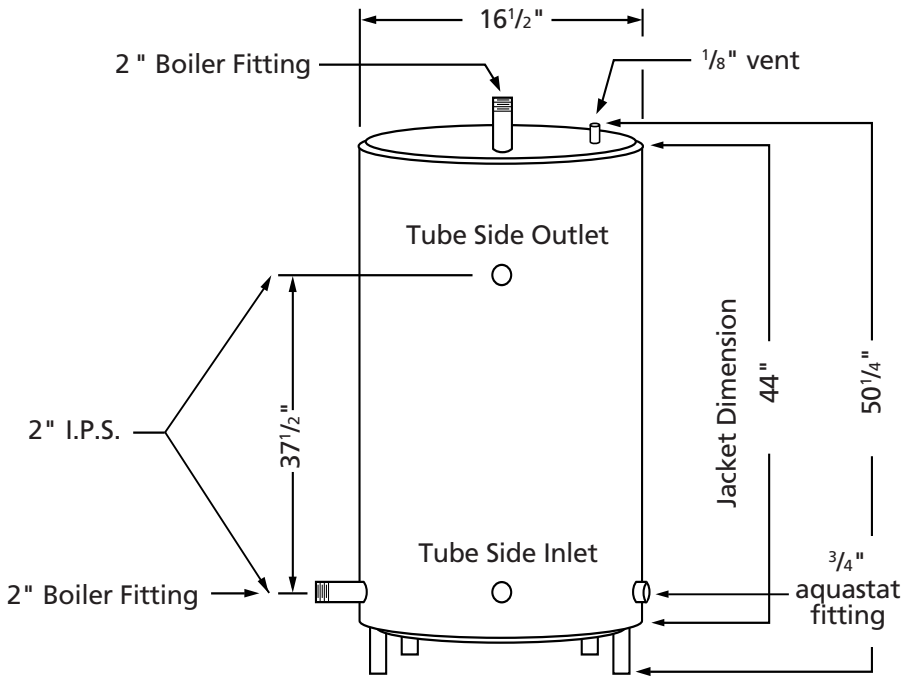
Submittal

All-Copper Heat Exchanger

Model #EA 50-100 **Rating: 50 G.P.M.** 40°F to 140°F — BWT @ 200°F

All Units Solid Copper Shell	Test Pressure	Working Pressure	
		Water Boiler	Steam Boiler
"Deluxe Models"	150 psi	30 psi	15 psi
"Super Models"	220 psi	30 psi	15 psi
"Heavy Duty High Pressure"	350 psi	125 psi	125 psi
Coil and Manifold	1000 psi	420 psi	420 psi

All Copper Integral Finned Tubing
 All Fittings Red Brass
 All units have lapped silver brazed joints, are fully insulated, and are enclosed in a 24 gauge steel painted jacket.



Vacuum breakers required on all live steam installations!

Shock arrestors required on all commercial-industrial installations!

Pressure Drop
15.4 psi at rated capacity tube side
Pressure Drop
1.8 ft. shell side
120.30 sq. ft. heating surface

Special Models

- "Restaurant Type" — producing 140° rise for dishwashers.
- "High Pressure" shell — live steam working pressure up to 125 pounds.
- "Cupro-Nickel" — longer lasting, corrosion resistant coils, particularly suited for low P.H. areas.

Regular models may be used for up to 15 lbs. steam pressure.
 Air Elimination: Use key/coin type vent on steam system installations; use float vent on forced hot water system installations.



Therma-Flow/Everhot
 Factory Address: Therma-Flow, Inc. • 191 Arlington Street • Watertown, MA 02472
 Mailing Address: Therma-Flow, Inc. • Post Office Box 416 • Watertown, MA 02471-0416
 Phone-Fax: (617) 924-3877 • FAX (617) 924-7271
 Toll Free Phone: 1-800-225-5311 MA: 1-800-654-8045 USA
 E-mail: sales@www.tfi-everhot.com • Web Site: www.tfi-everhot.com